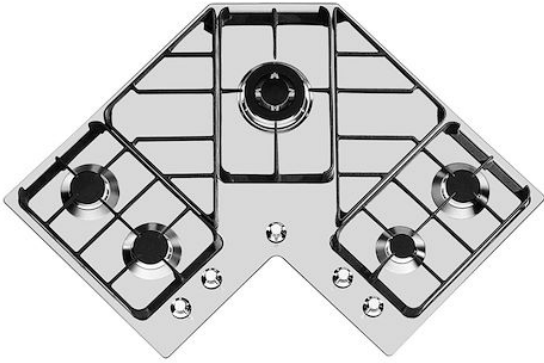


## Cooker hob Angolare

Gas hobs

Code: 7038 052



### DETAILS

Edge/Installation Type      Standard (8 mm Edge)

---

Finish      Foster brushed

---

Material      AISI 304 stainless steel

---

Texture      Brushed in line

---

Supply      220-240 V; 50/60 Hz

---

Dimensions      830x830 mm

---

Base size      83cm

---

Full description      Angular gas hob 83x83 cm - 5 burners - STD edge - for standard built in installation

---

Heating element      Five burners

---

Built-in hole	View technical data sheet
Grids	Cast iron grids and enamelled burner covers
Total power	9.750 W
Auxiliary	1.000 W
Semirapid	3x1.750 W
Triple crown	3.500 W
Safety	Safety valve with quick-acting thermocouple
Ignition	Electric ignition under knob
Gas type	Tested for installation with natural gas, LPG nozzle set included.
Type	Gas Hob

## FEATURES

Cast iron grids	Cast-iron is the ideal material for an hob grid, this due to the manifold properties characterising it: high heat capacity that improves cooking performance; high weight and stability that improve safety; sturdiness that preserves the hob's original aspect over time; easy cleaning.
Safe cooking	All Foster cooker hobs are equipped with safety valves. They shut off the gas supply very quickly if the flame accidentally goes out.

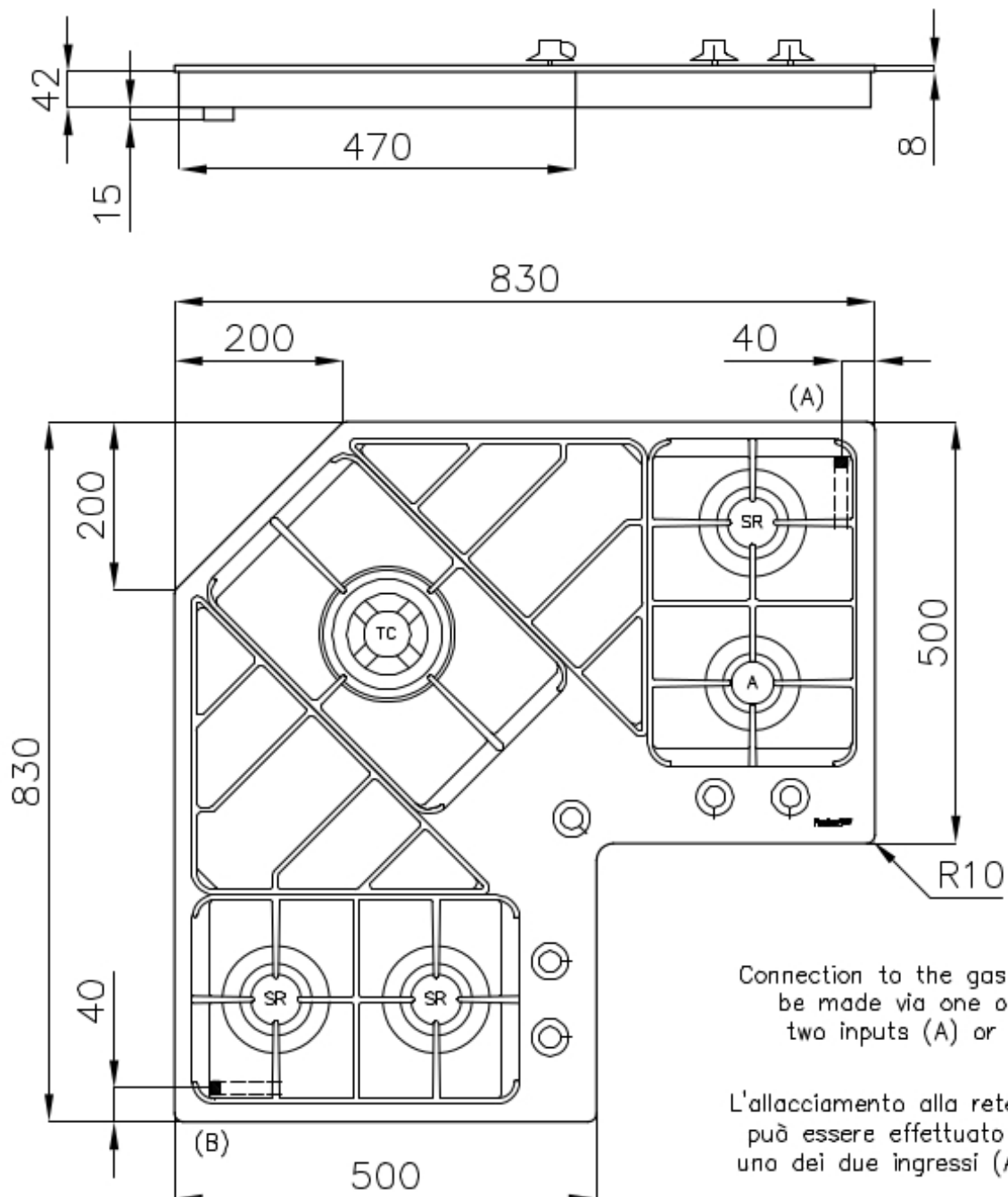
## Special burners

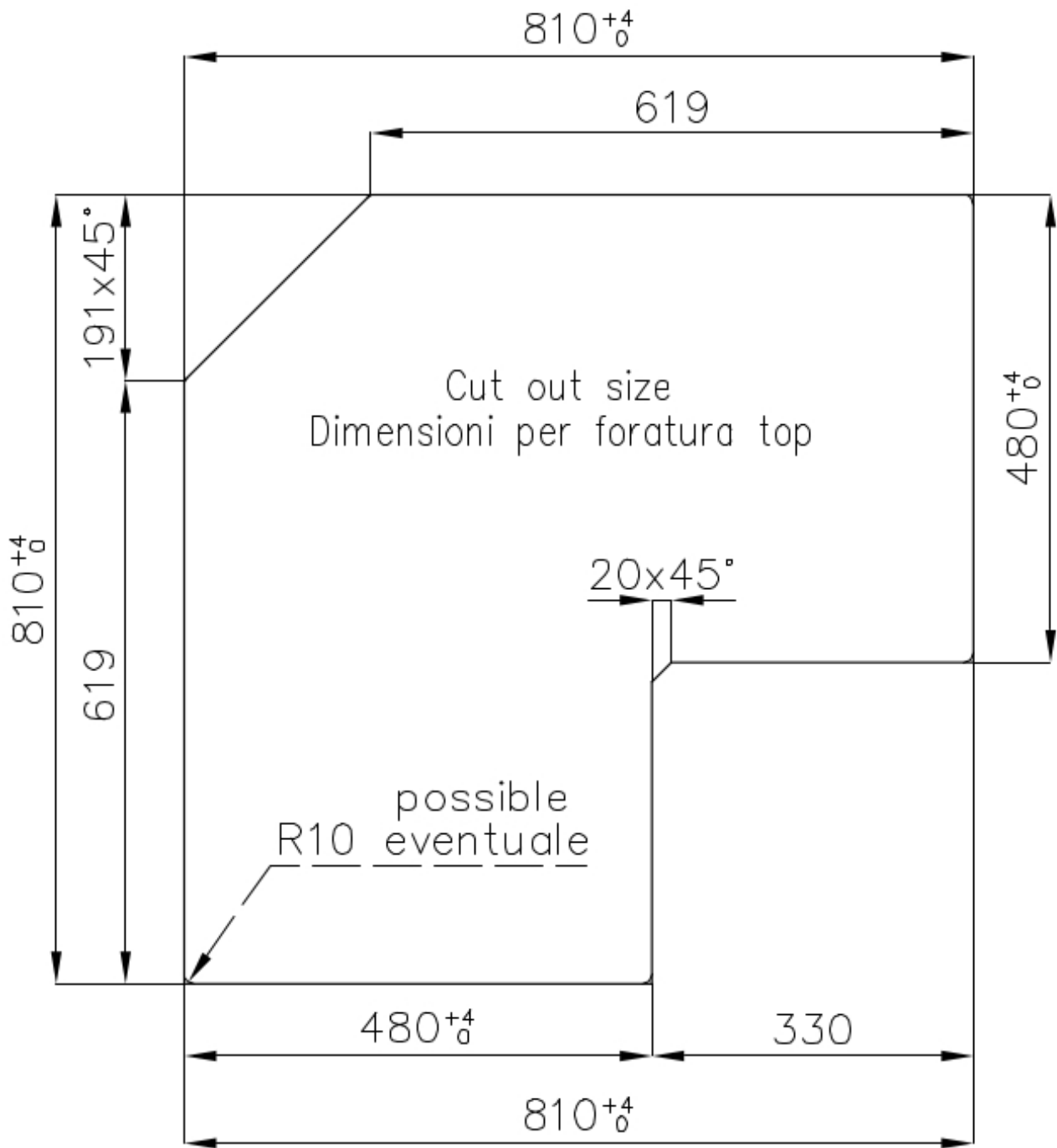
Many Foster hobs are equipped with special burners, with two or three rings of fire that greatly increase the power delivered and the heated surface. In the DUAL models the two fire crowns also have independent ignition, making these burners perfect for both intensive and delicate cooking.

## Under-knob ignition

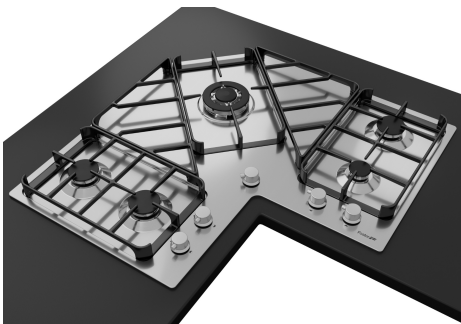
The utmost freedom of movement with electronic under-knob ignition, a common feature of all models that allows a one-hand ignition of the burner.

## TECHNICAL DATA





## GALLERY



## OPTIONAL ACCESSORIES



**Cast iron wok support**  
9601 668

## RECOMMENDED PAIRINGS



**Hood Pitagora**  
2439 003